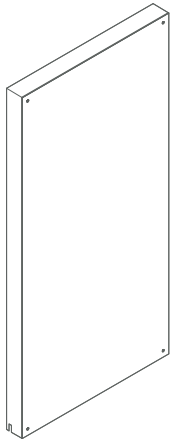


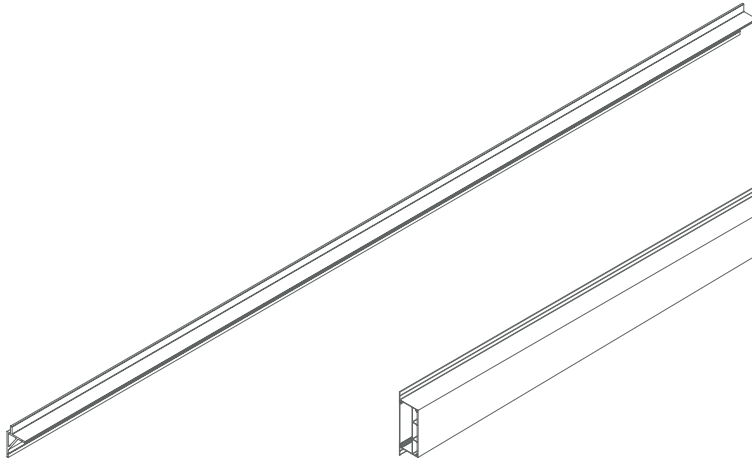
eFacade LITE Installation Steps



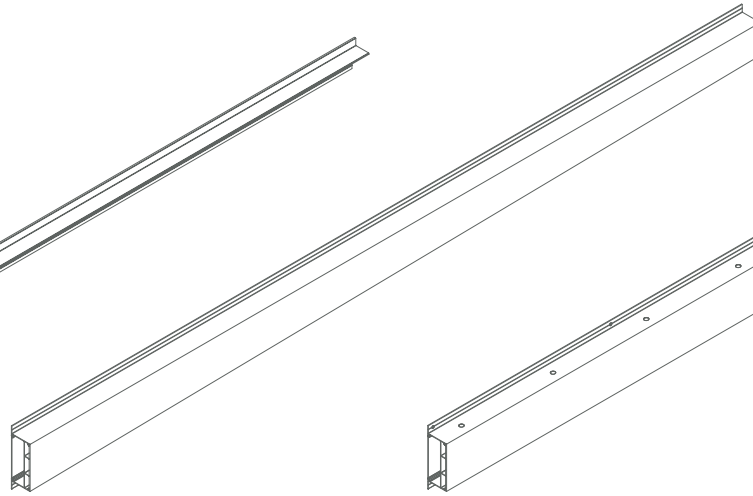
System Components



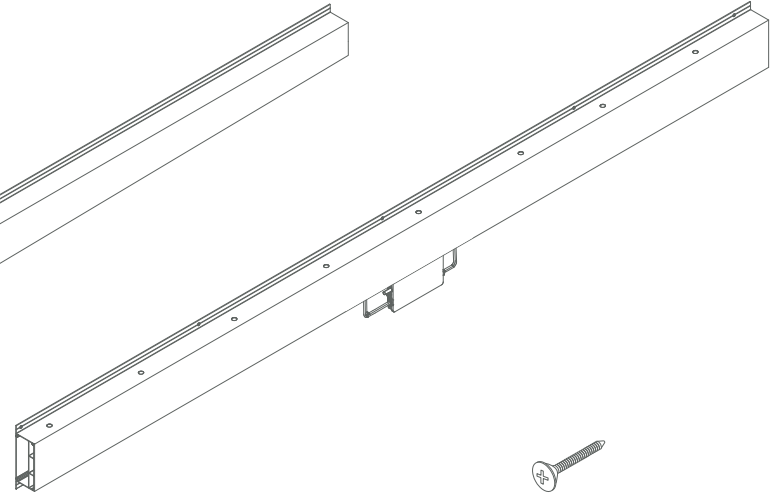
• ⚡ Mitrex SunTile



• Starter Bar



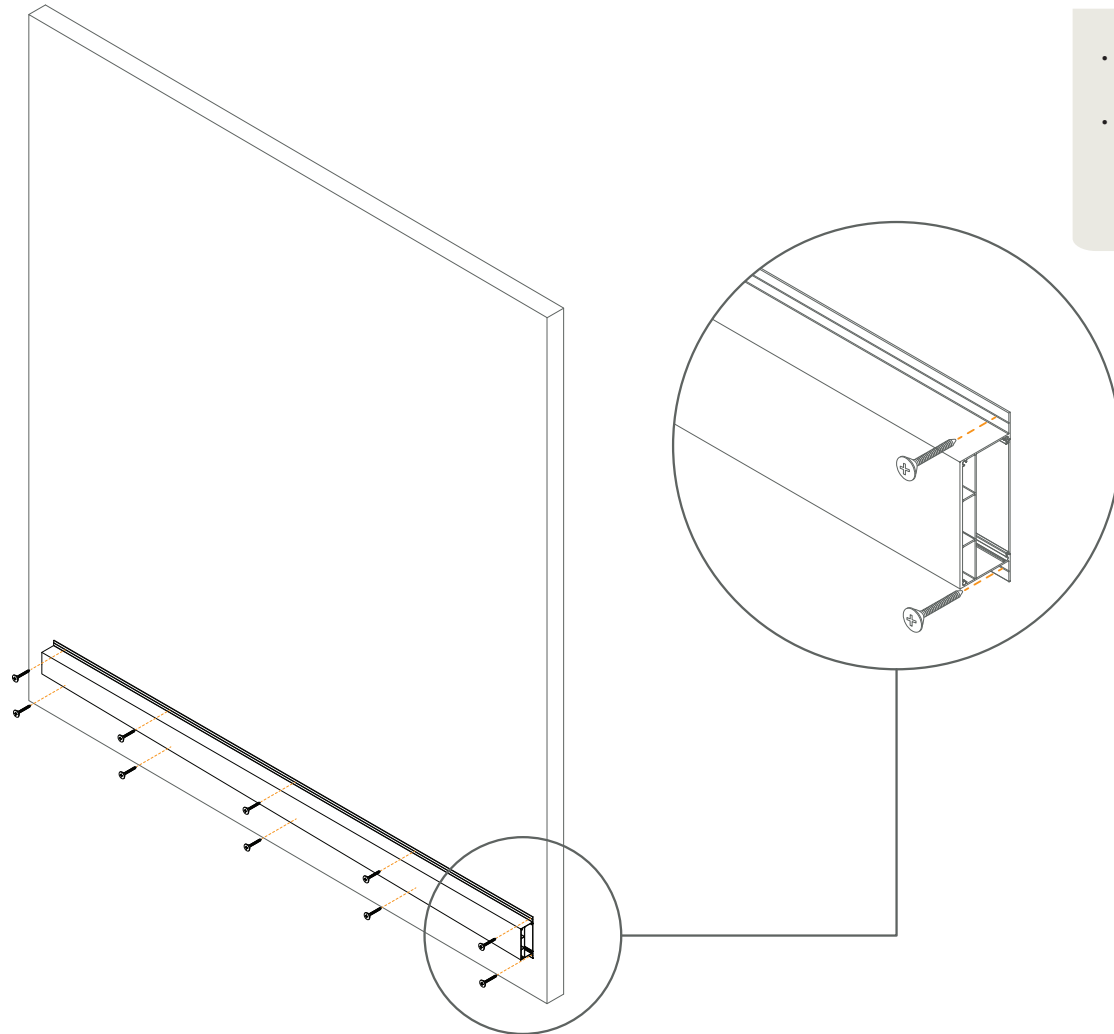
• Support Bar



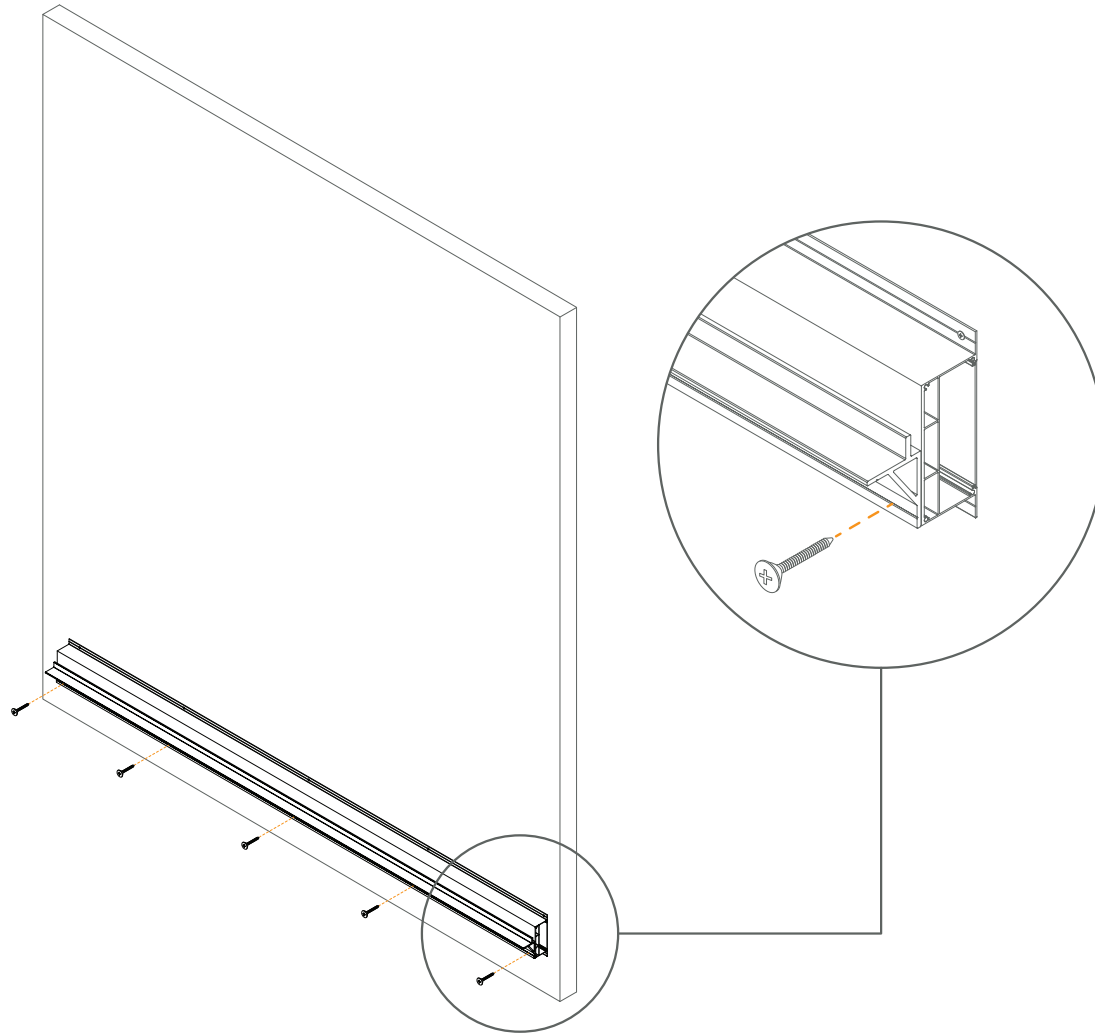
• ⚡ Power Bar



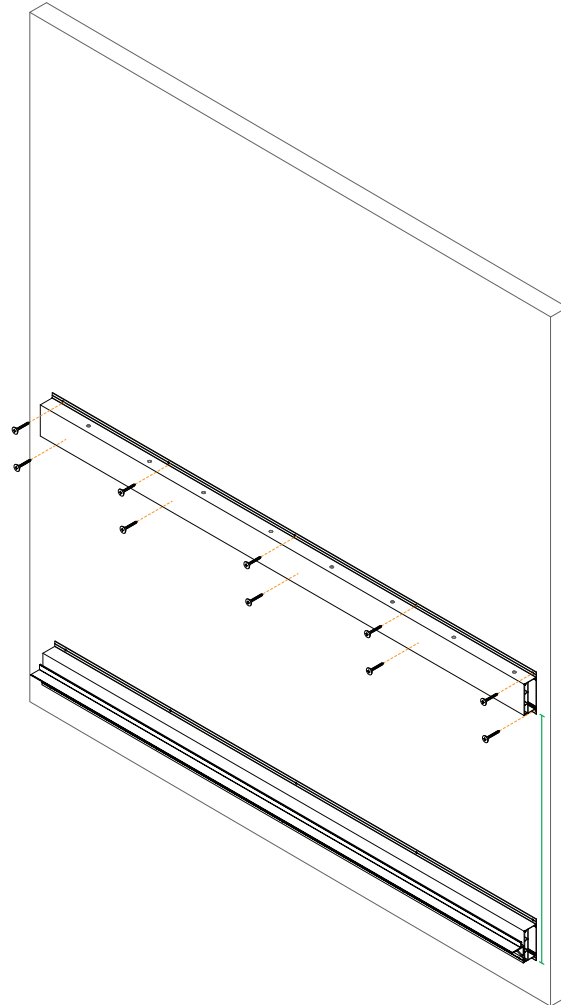
• System Screws



- Measure and level the first Support Bar.
- Fasten the Support Bar. Depending on the wall material, select the appropriate screws.



- Measure and level the Starter Bar.
- Fasten the Starter Bar to Support Bar.



- Measure and level the Power Bar.
- Fasten the Power Bar. Depending on the wall material, select the appropriate screws.

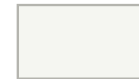
● **Measurements Guide**

Bottom Edge to Bottom Edge



1,867mm
73.50in

Large or Small
Module Portrait



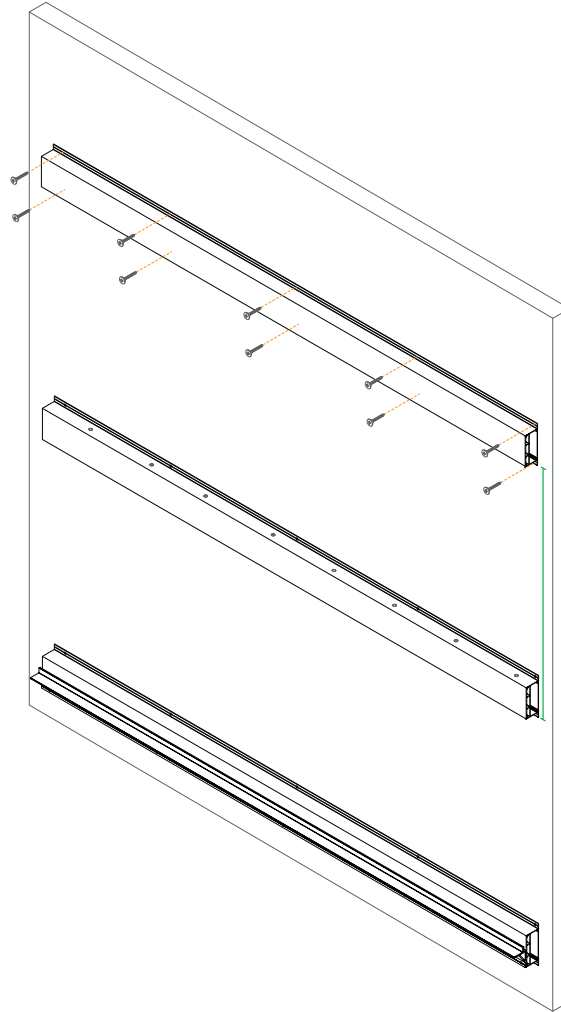
924mm
36.4in

Large Module
Landscape



924mm
36.4in

Small Module
Landscape



- Measure and level the Support Bar.
- Fasten the Support Bar. Depending on the wall material, select the appropriate screws.

● **Measurements Guide**

Bottom Edge to Bottom Edge



1,867mm
73.50in

Large or Small
Module Portrait



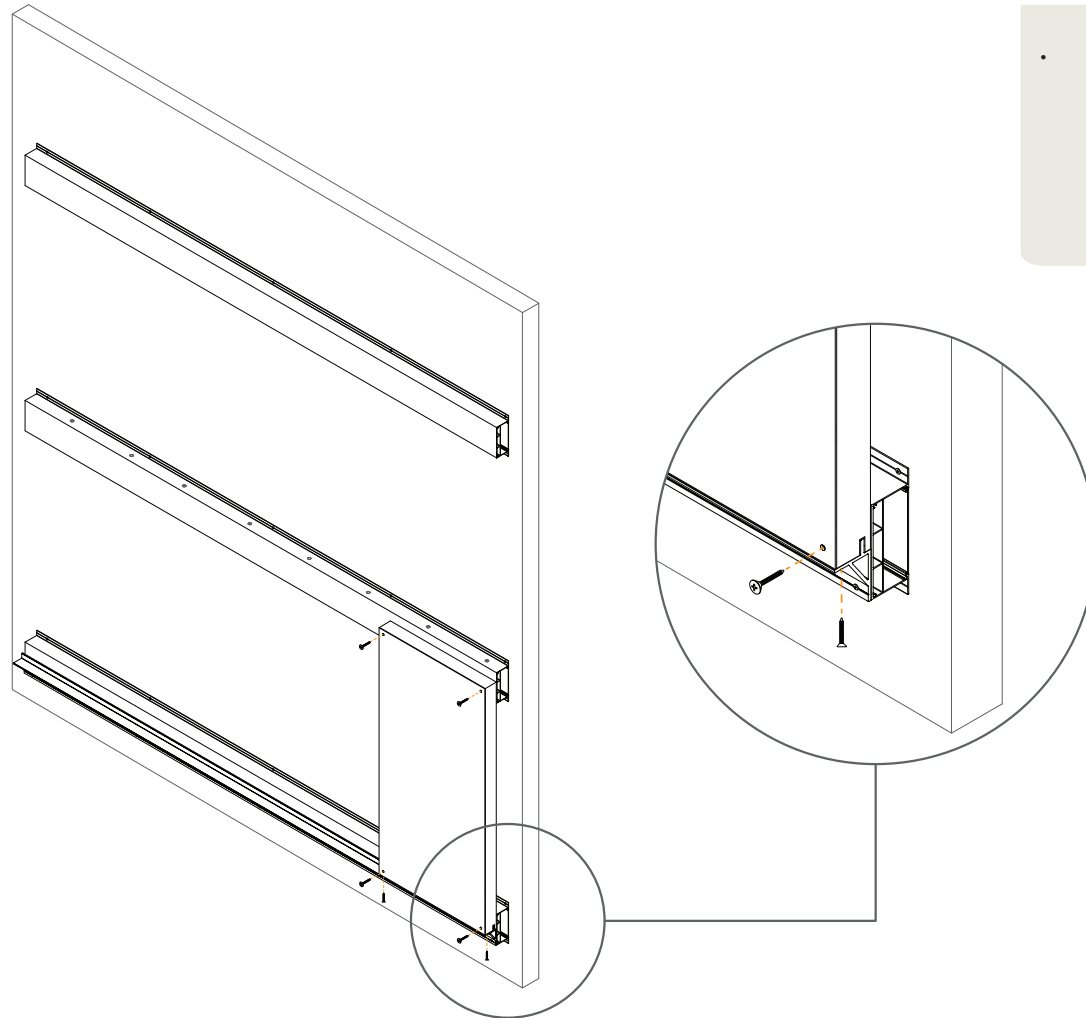
924mm
36.4in

Large Module
Landscape

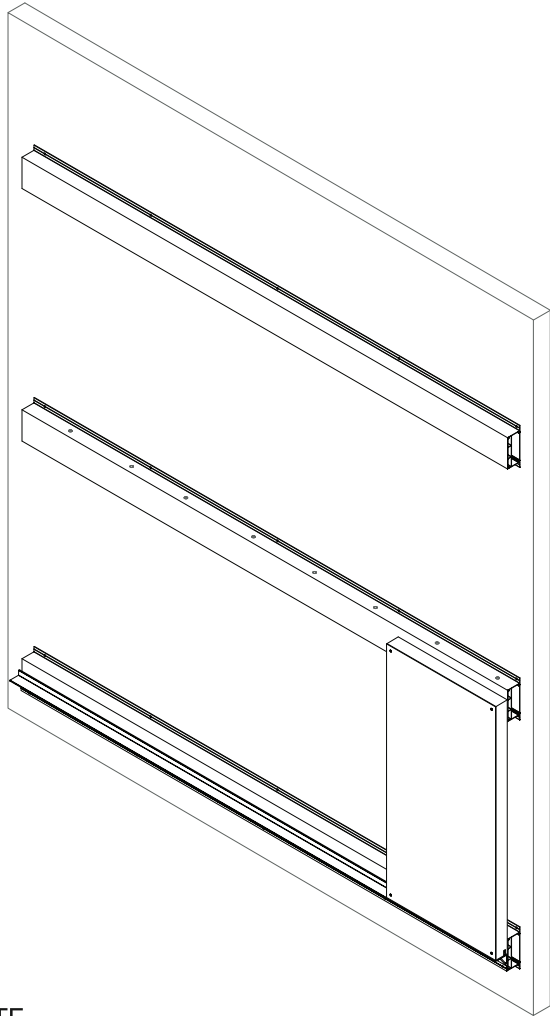


924mm
36.4in

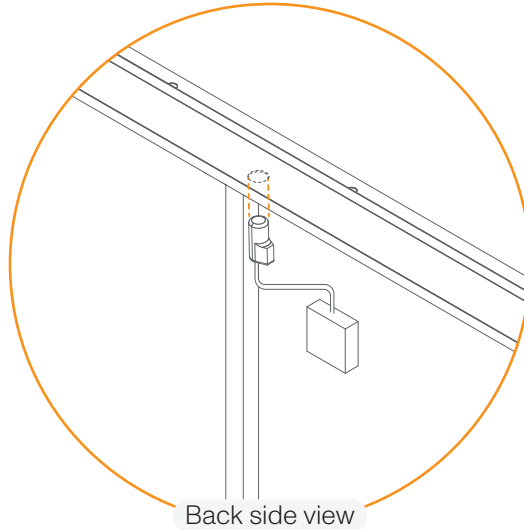
Small Module
Landscape



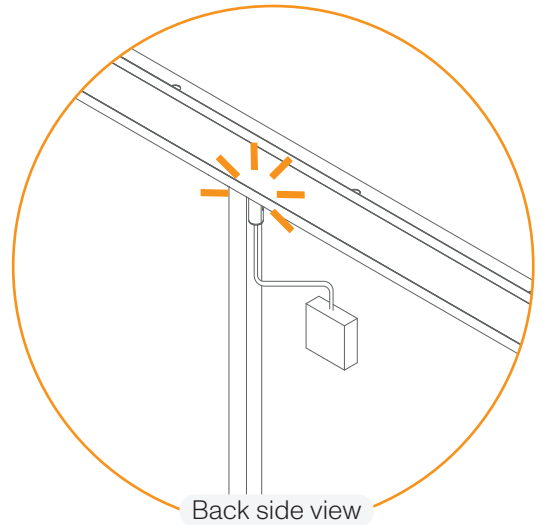
- Place the first eFacade LITE Suntile on the Starter Bar. The panel needs to be aligned with the edge of the Starter Bar. Once placed, fasten the first Suntile using the provided screws.



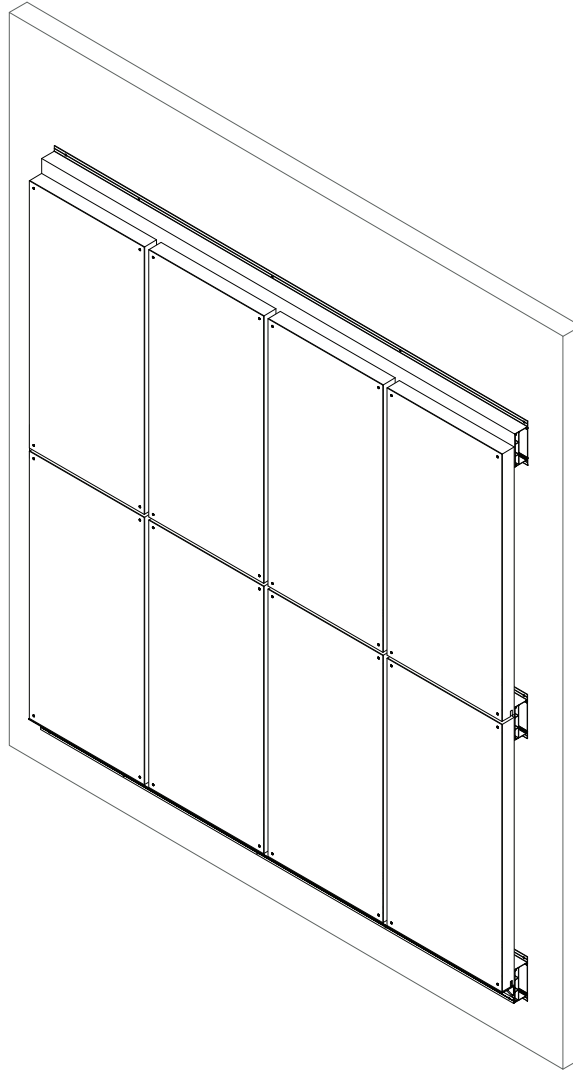
- Reach for the single wire coming out from the Suntile and connect it to the closest entry in the Power Bar until you hear a "Click".



Back side view



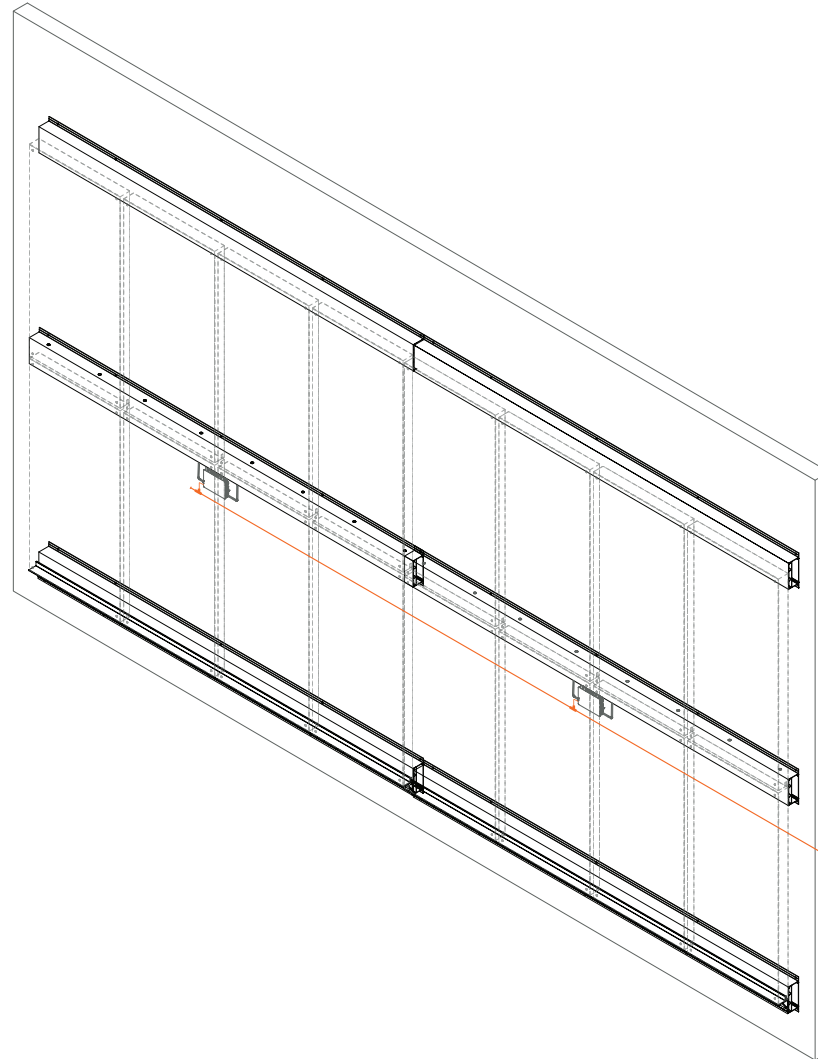
Back side view



- Repeat the process until all 8 SunTiles are installed.

Wall To Wall Scenario

When you are connecting one 150 SQFT system to another one, you need to connect the microinverters in the power bars with an AC trunk cable.



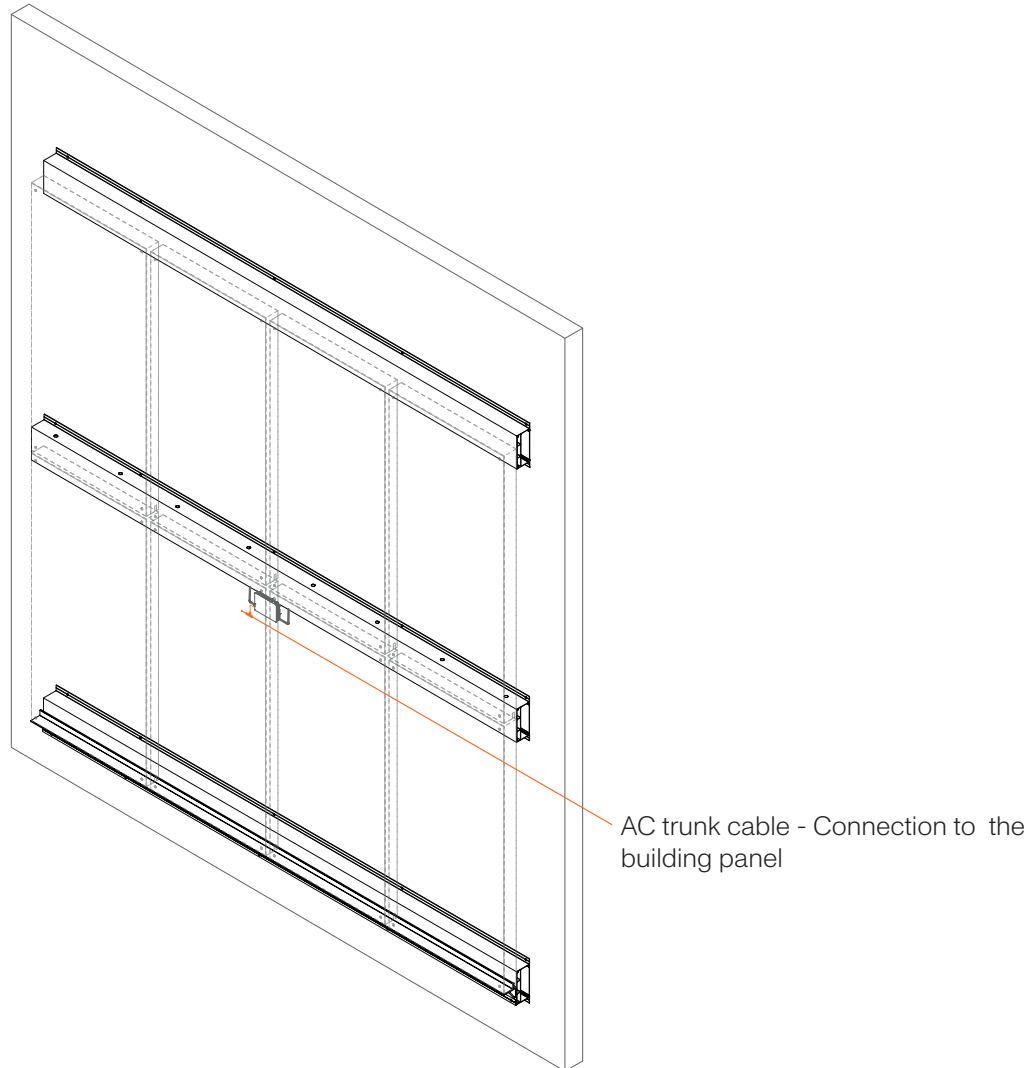
● **Max Number of Microinverters Per Circuit**

480 V	Up to 15 Microinverters
208 V	Up to 6 Microinverters

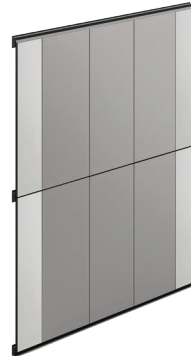
AC trunk cable - Connection to next microinverter or building panel

Wall To Electrical Panel Scenario

When you reach the end of your circuit, you need to connect the microinverter in the power bar to the building electrical panel with an AC trunk cable. You will need to consult a registered electrician.



Layouts Inspiration



- **Toll Free**

+1 (855) 254 0214

- **Learn More**

mitrex.com
info@mitrex.com

- **Headquarters**

41 Racine Rd, Toronto, ON M9W2Z4, Canada
+1 (416) 497 7120

- **USA Office**

Chrysler Building, 405 Lexington Avenue Floor 26, New York, USA, 10174
+1 (646) 583 4486

